

Features and Components

Because of its unique flashing system, Flex-I-Drain is compatible with all roofing membrane systems and decks. Up to 3 1/2" (8.89 cm) of insulation can be placed under the drain. Designed to connect to the building plumbing system with no hub connectors. The flexible bellows allow differential movement up to 1" (2.54 cm) in any direction between the roof deck/roofing system and the plumbing.

Bellows: 8" (20.3 cm) length, neoprene flexible bellows body.

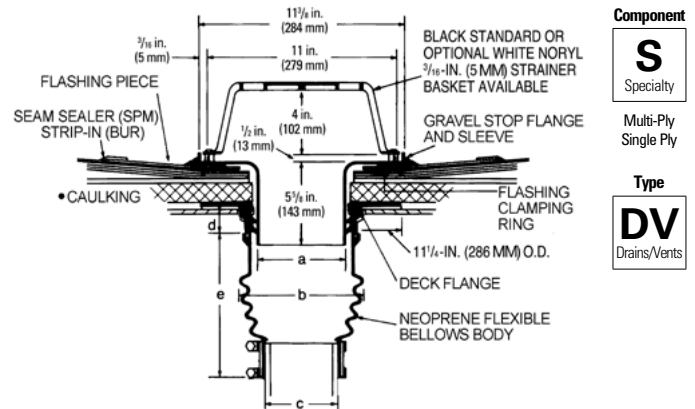
Flange: 11.25" (28.58 cm) diameter GE Noryl Resin.

Strainer Dome: 4" (10.16 cm) tall GE Noryl®* Resin dome.

Color: Black

UV Stable: Provides long life and reliability.

* Noryl® is a registered trademark of General Electric.



Component
S Specialty
Multi-Ply Single Ply
Type
DV Drains/Vents



Dimension	Drain Size	
	3" & 4" (7.62 cm & 10.2 cm)	5" & 6" (12.7 cm & 15.2 cm)
a	5.25" (133 mm)	7" (178 mm)
b	6.5" (165 mm)	8.5" (216 mm)
c	4.5" (114 mm)	6.375" (168 mm)
d	2" (51 mm)	2" (51 mm)
e	8" (203 mm)	8" (203 mm)

System Compatibility This product may be used as a component in the following systems. Please reference product application for specific installation methods and information.

Multi-Ply	BUR		APP		SBS			
	HA	CA	CA	HW	HA	CA	HW	SA
Compatible with all Multi-Ply systems								

Single Ply	TPO		PVC		EPDM		
	MF	FA	MF	FA	MF	FA	BA
Compatible with all Single Ply systems							

Key: HA = Hot Applied CA = Cold Applied HW = Heat Weldable SA = Self Adhered MF = Mechanically Fastened FA = Fully Adhered BA = Ballasted

Energy and the Environment

Pre-Consumer Recycled Content	0%
Post-Consumer Recycled Content	0%

Peak Advantage® Guarantee Information

Covered under the JM Peak Advantage Guarantee when installed in a JM approved roofing system.

Codes and Approvals



Meets UL® 94V-1 requirements

Installation/Application

Refer to JM applicator guides or detail drawings for instructions.

Packaging and Dimensions

Drain Sizes <i>To fit inside pipe diameter</i>	3" (7.62 cm), 4" (10.16 cm), 5" (12.7 cm), 6" (15.24 cm)
Flange Dimension	11.25" (28.58 cm)
Bellows Length	8" (20.3 cm)
Strainer Basket Height	4" (10.16 cm)
Weight	6 lb (2.7 kg)
Producing Location	Lewiston, ME